

Continuous / Intermittent Motion Cartoner - VT-100 Vertical Cartoner



Features

- Up to 200 cartons per minute
- Precision milled carton pockets
- Glue or tuck carton closing
- Allen-Bradley Logix Series PLC
- Allen-Bradley Kinetix servo drive system
- Allen-Bradley PanelView HMI
- Full-length polycarbonate guard doors

Continuous / Intermittent Motion Cartoner - VT-100 Vertical Cartoner

Thiele Technologies' VT-100 Vertical Cartoner is capable of handling a wide variety of products that require vertical loading into a carton. The basic VT-100 includes hand loading area that is easily converted to a variety of automatic loading options. Volumetric filler, net weigh scales, tablet feeders, and robotic load systems are just a few of the automatic product loading infeeds available for the VT-100.

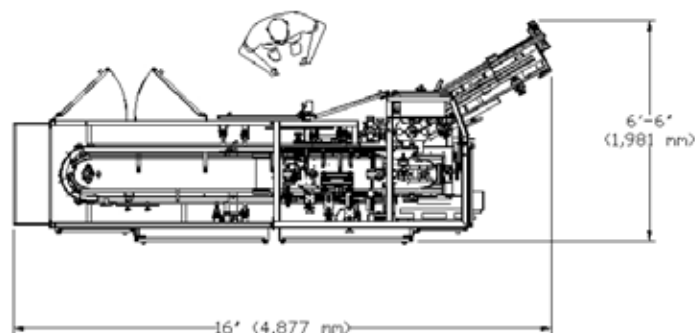
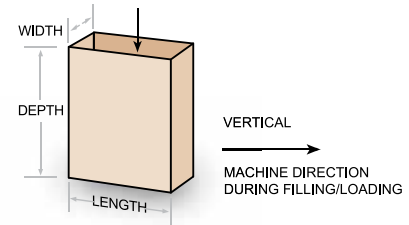
Standard Features

- Intermittent or continuous motion operation
- One set of sized standard carton pockets on centers of 10"
- Single chain carton track
- 48" powered carton magazine with rotary placer
- Gear driven rotary carton placer with vacuum suction cups
- Straight or reverse tuck carton closing
- 40" of ergonomically designed carton loading space on each side of the cartoner
- Flat-belt discharge conveyor with lay-down tooling
- Hinged polycarbonate safety guards and interlock switches with LED display
- Servo driven
- Zirk fittings at all lubrication points
- Scaled adjustment at all changeover locations

Value-Added Options

- Additional sets of carton pockets
- Adjustable carton pockets
- Extended carton magazines
- Hot melt glue carton sealing
- Custom carton closing
- Customized product infeeds
- Automatic bottle or vial loading
- Various feeders for pre-folded literature
- Counter/weigh scale and auger filling
- Integrated vision system
- Integrated ink or laser coder
- Integrated metal detector
- Precision screw adjustments with digital readouts for changeover
- Robotic product loading

Dimensions		
	Min	Max
Length	1"	8.5"
Width	.5"	3"
Depth	1.5"	9"



Right-hand plan view

All sales are subject to our prevailing terms and conditions. Illustrations and specifications are subject to change without notice. Machines shown without guards are for illustrative purposes only. Guards are supplied and must be in place before operation.