

Hema Rotary Fillers

Gravimetric and Volumetric



Hema
Pneumatic Scale Angelus

barrywehmiller
Australia

Hema MV

Volumetric Mechanical Filler

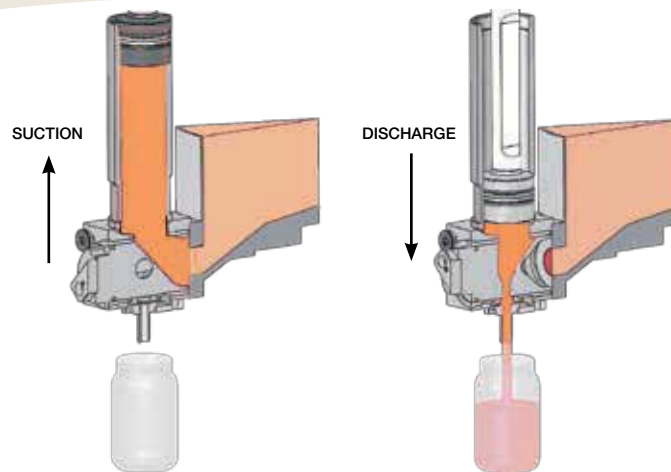
Your product is viscous, homogeneous with large particles or pieces up to 20 x 20 x 20 mm.

You are looking for high speed and large flexibility !

MV is the technology perfectly suited to your application.

Filling is volumetric and operation is mechanical.

The volume is defined by a cylinder and a moving piston controlled by a cam follower.



ND ALONE FILLER MV12
STA



MONOBLOC FILLER HEATSEALER
MV 30/24 T

TECHNICAL DATA

FILLED VOLUME:
From 60 ml up to 5 litres

OUTPUT:
From 3,000 cph up to 90,000 cph.

FILLING RANGE:
From 6 to 75 heads

CLOSURE RANGE:
From 5 to 30 heads

Following options are available:

- 2 types of valves :
 - Cylindrical for semi liquid products
 - Conical for fluid products
- According to your recipe, the option of bottom filling may be proposed to increase cleanliness and quality
- Possible automatic removal of conical valve for cleaning in place



For any other type of products do not hesitate to contact us.

barrywehmiller

F7/13-15 Forrester St, Kingsgrove NSW 2208
www.barry-wehmiller.com.au

p. +61 (0) 2 9150 7055
e. sales@barry-wehmiller.com.au

psangelus.com

barrywehmiller
bw
betterworld